

# Electric-Aire LN Hand Dryer

New Economical and Stylish Hand Dryer



*by World Dryer Corporation*



**ELECTRIC-AIRE**  
*by World Dryer Corporation*

- Modern sleek design complements any washroom décor
- Affordable unit with durable Aluminum cover
- Automatic activation and surface mounted
- Quiet sound level, suitable for light to medium traffic facility
- Multi-voltage (100 to 240 Volts)

Distributed by  
[www.Ameraproducts.com](http://www.Ameraproducts.com)  
Phone: (800) 608-6568  
Fax: (409) 840-5545  
[info@ameraproducts.com](mailto:info@ameraproducts.com)

# Electric-Aire LN Hand Dryer

## New Economical and Stylish Hand Dryer

LN hand dryer is manufactured by or for Electric Aire to include cover of die cast Aluminum with white epoxy enamel. The motor is thermally protected brush type with minimum 7500 RPM with a single shaft. LN delivers 134 cubic feet per minute of air volume (6400 LFM), and is activated by an infrared sensor, and controlled by a microprocessor that allows multi-voltage application (100 VAC to 240 VAC - 60 Hz).

Electric Aire LN is surface mounted. It is listed under reexamination service of Underwriters Laboratories, Inc.



120, 208-240 Volts  
1150 Watts  
60 Hz

### Hand Dryer vs. Paper Towel

#### Best Cost Savings

- 90%+ Savings over the cost of paper towels

#### Lowest Maintenance

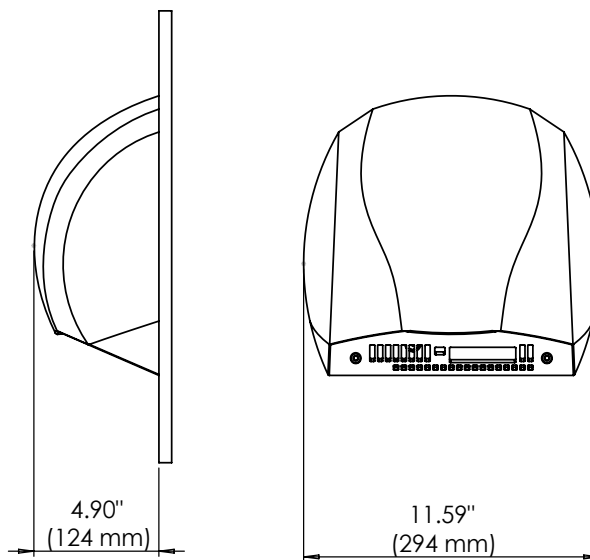
- No purchasing or stocking of paper towels,
- No overflowing trash cans to empty
- No fear of running out of paper towels
- No paper towels clogging your toilets

#### More Hygienic

- Reduces micro-organisms
- No dirty towel overflow and littered floors
- Automatic activation prevents cross contamination

#### Environmentally Friendly

- Saves Trees
- Less waste removed to landfills
- Helps to Earn LEED credits



Model	Operation	Cover Material	Cover Color	Mounting Options	Unit Weight	Unit size HxWxD
LN-974	Automatic	Aluminum	White	Surface	10 lbs / 4.55 kgs	10.7"x11.6"x4.9"



5700 McDermott Drive, Berkeley, IL 60163

Distributed by  
[www.Ameraproducts.com](http://www.Ameraproducts.com)  
Phone: (800) 608-6568  
Fax: (409) 840-5545  
[info@ameraproducts.com](mailto:info@ameraproducts.com)